

Touchpad Caddy



Protect your touchpad investment. Our touchpad caddy provides safe storage and a convenient means to transport your touchpads to the pool deck.

The Touchpad Caddy accommodates up to ten (10) touchpads.

Specifications for gutter-hung Touchpad Caddies

Gutter-hung touchpad caddies feature an aluminum frame construction and four free wheeling casters.

• CAD-TP/P

Partially assembled version for touchpads up to 78" wide.

Up to 10 touchpads per caddy.

Dimensions: 82" x 47" x 22" (208.3cm x 119.4cm x 55.9cm) (l x h x w)

Weight: 105 lbs. (47.6kg)

• CAD-TP96

For 96" touchpads.

Up to 10 touchpads per caddy.

Dimensions: (l x h x w) 102" x 47" x 22" (259.1cm x 119.4cm x 55.9cm)

Weight: 150 lbs. (68kg)

• CAD-TP/FINA

For FINA touchpads.

Up to 10 touchpads per caddy.

Dimensions: (l x h x w) 100.5" x 60" x 22" (255.3cm x 152.4cm x 55.9cm)

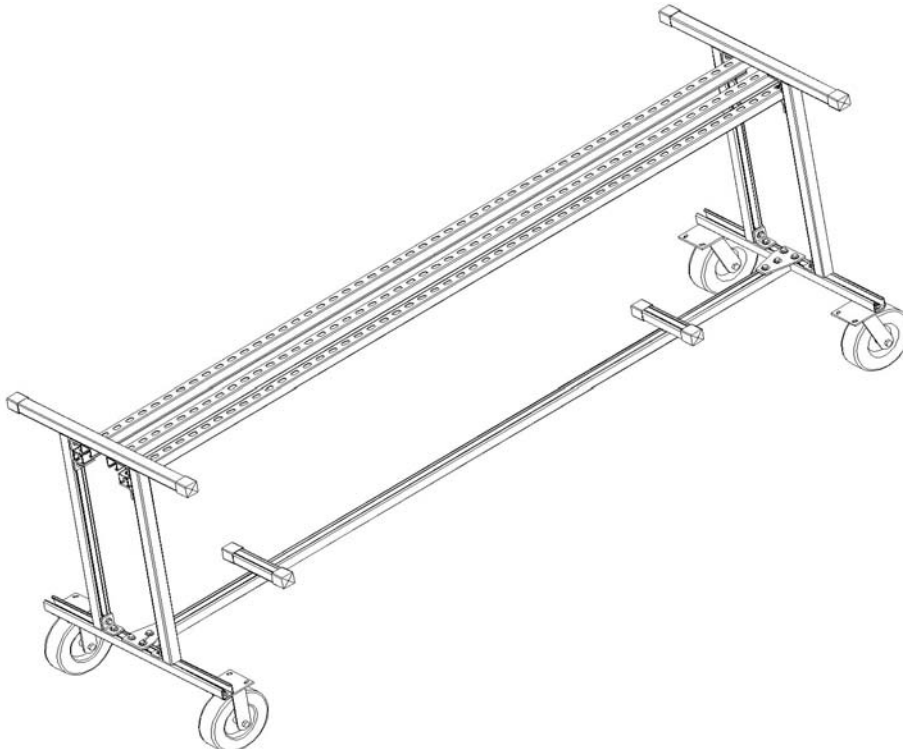
Weight: 129 lbs. (58.5kg)

Revised 08/12



Specifications for Flat-Wall Touchpad Caddies

Flat-wall touchpad caddies arrive partially assembled, requiring only a simple assembly by the user. The sturdy unistrut construction supports up to ten touchpads for convenient mobility.



CAD-TP 78-FA

Dimensions: 104" x 45.25" x 30" (264.2 cm x 114.9 cm x 76.2 cm)

Weight: 175 lbs (79.3 kg)

CAD-TP 60-FA

Dimensions: 90" x 45.25" x 30" (228.6 cm x 114.9 cm x 76.2 cm)

Weight: 153 lbs (69.3 kg)

Revised 08/12

